



1612 N Broad Street
Lansdale, Pa 19446
(215) 362 - 7368

44 W Ridge Pike
Limerick, Pa 19468
(610) 489 - 2334

MODEL 140100
PORTABLE PATIO HEATER
For Outdoor Use Only

FEATURES:

- Completely Self-contained
- Rain Protected
- Wind Resistant
- Attractive Design
- No Electrical Required
- 100% Safety Shutoff Control
- Built-in Positive Ignitor - No Match Required to Light the Heater
 - US Patent No. 5,375,585
- 40,000 BTU/HR Input Rating
- Continuous Pilot
- Propane Gas

Each heater casts a 12 to 15 foot circle of sun-like radiant warmth - Outdoors. Properly filled, a 5-gallon propane tank will operate this heater approximately 10 hours.

FOR YOUR SAFETY

If you smell gas:

1. Shut off gas to the appliance.
2. Extinguish any open flame.
3. If odor continues, immediately call your gas supplier

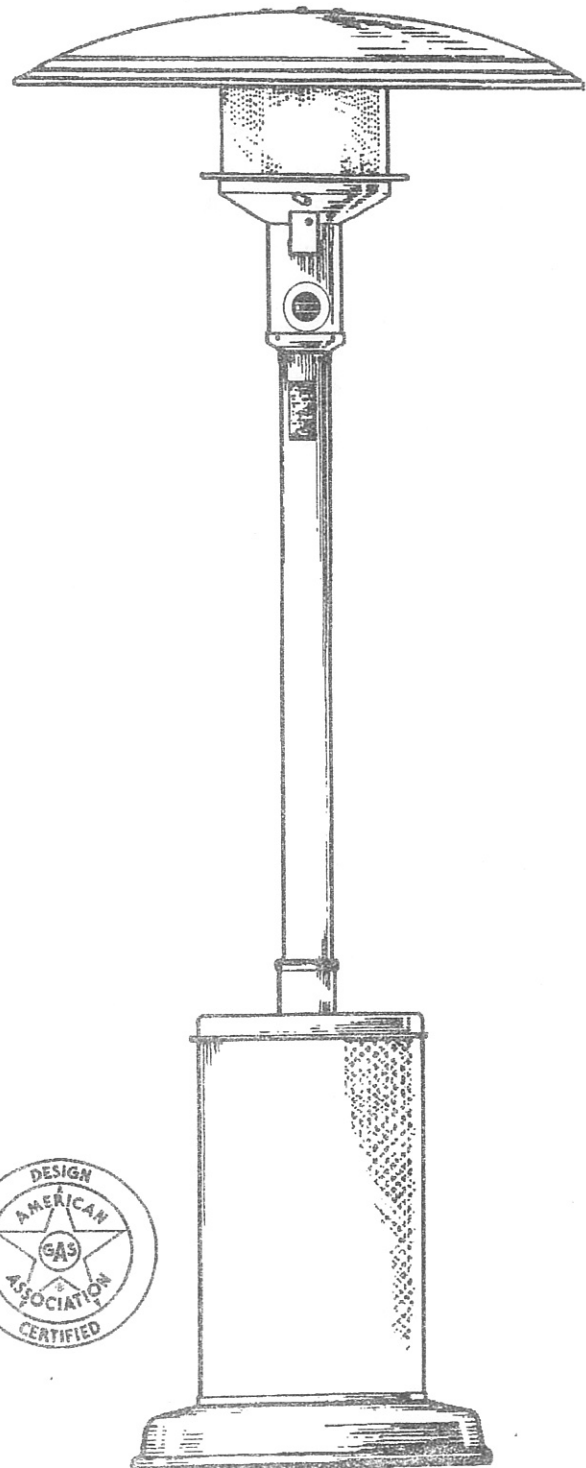
FOR YOUR SAFETY

Do not store or use gasoline or other flammable vapor and liquids in the vicinity of this or any other appliance.

WARNING: Improper installation, adjustment, alteration, service or maintenance can cause injury or property damage. Read the instructions thoroughly before installing or servicing this equipment.

Retain these instructions for future use.

Important: The installer or seller must leave these instructions with the consumer.



Installation, Operation and Maintenance Instructions for Model 140100 Gas-fired Patio Heater

INSTALLATION

Important Safety Rules:

1. Children and adults should be alert to high surface temperature of areas above the post when operating this heater.
2. Children should be carefully supervised when they are in the area of the heater.
3. **NEVER** hang anything including clothes or other flammable items on the heater.
4. **DO NOT** operate this heater unless it is fully assembled with reflector in place.
5. Installation and repair should be done by a qualified service person. The heater should be inspected before use and at least annually by a qualified service person. More frequent cleaning may be required as necessary. It is imperative that control compartment, burners and circulating air passages of the heater be kept clean.

Prior to assembling your Model 140100 propane heater, the following must be reviewed. Compliance with the following should result satisfactory heater operation. This instruction should be retained for future reference. The installation must conform with local codes or authority having jurisdictions.

1. The Model 140100 gas-fired infrared patio heater is intended for heating residential and nonresidential outdoor spaces. The installation must conform with local codes or, in the absence of local codes, with the National Fuel Gas code, ANSI Z223.1.
In Canada, heater installation must conform with local building codes or, in the absence of local codes, with the current National Standards of Canada CAN/CGA-B 149.2.
2. Adequate clearance around air openings into the combustion chamber, clearances from combustible materials, provisions for accessibility and for combustion and ventilating air supply must be maintained at all times when the heater is operating.
3. Proper clearance from combustible materials must be maintained at all times. The minimum clearances are as follows:

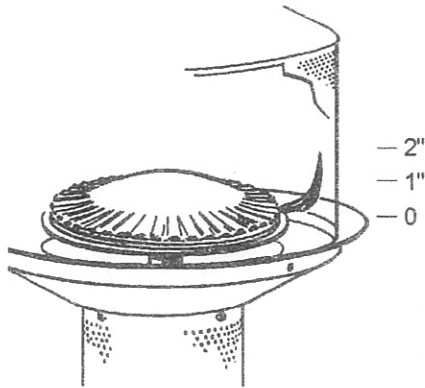
Minimum Clearance from Combustibles:

Side 24" Rear 24"
Ceiling 18" Below 84"

Combustible materials are considered to be wood, compressed paper, plant fibers, plastic, Plexiglas or other materials capable of being ignited and burned. Such materials shall be considered combustible even though flameproofed, fire-retardant treated or plastered. Additional clearance may be required for glass, painted surfaces and other materials which may be damaged by radiant or convection heat.

4. Heaters must be placed on a level and adequate footing and be readily accessible. The heater may be permanently attached to the floor utilizing the Floor Clamp Kit available from the manufacturer.
5. The gas manifold supply pressure must be regulated at 11" water column utilizing a UL listed regulator. Any replacement regulator must be UL listed. The minimum inlet pressure to the regulator from the tank is 10 psi and maximum pressure is 150 psi.
6. The heater must be inspected before each use, and at least annually by a qualified service person.
 - a. The appliance area must be kept clear and free of combustible materials, gasoline and other flammable vapors and liquids.
 - b. Gas orifices and burner must be kept clear of dirt and cobwebs. Flow of combustion and ventilation air through the perforated portions of the heater must not be obstructed.
 - c. all gas connections should be checked for leaks utilizing a soap solution. Never use a flame for this purpose.
 - d. The flame pattern at the emitter grid should be visually checked whenever heater is operated(see figure 1.). If flames extend more than 1/2 inch beyond surface of the emitter grid or black soot is accumulating on the emitter grid or reflector, the heater should be turned off immediately. The heater should not be operated again until repairs are made.
 - e. Any cleaning agent used on the heater should be of a non-combustible and non-corrosive nature.
 - f. The stainless steel emitter grid normally does not require cleaning and should **NEVER** be painted. The reflector may be cleaned, but never painted. Other portions of the heater may be re-coated only with high temperature(1,200 F) paint.

NORMAL FLAME POSITION



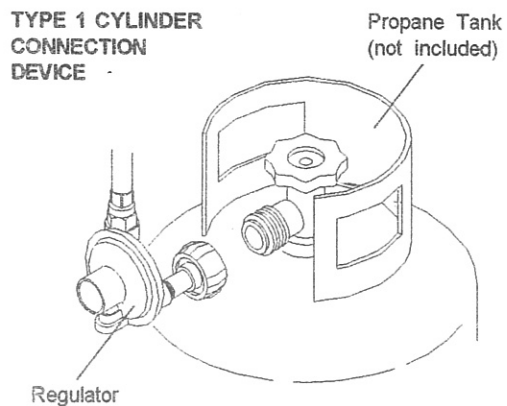
7. The hose assembly shall be properly located out of pathways where people may trip over it. The hose must be protected from contact with hot or sharp surfaces both during use and while in storage. The hose assembly shall be visually inspected prior to each use of the heater. If excessive abrasion or wear is evident, or the hose is cut, it must be replaced prior to operating the heater. The replacement hose assembly may be obtained from manufacturer or sales representative. See parts list.
8. **DO NOT** use any pressure regulator or hose assembly other than those supplied with the appliance. Replacement pressure regulator and hose assembly must be those specified by Prochef Inc. Replacement parts may be obtained from the manufacturer or your local sales representative.
9. Installation and use of this heater must conform with local codes or, in the absence of local codes, with the Standards of Storage and Handling of Liquefied Petroleum Gases, ANSI/NFPA 58.
10. This Heater is designed to operate with a standard five (5) gallon propane tank with Type 1 Cylinder Connection Device. (A.G.A. Requirements 10-94). The propane tank must (1) be provided with a shutoff valve. The outlet of the tank valve must be 1-5/16 ACME male thread specified in Type 1 Cylinder Connection Device per A.G.A. Requirement 10-94. Per standard, the tank valve is designed to provide a positive sealing device for safety; (2) the cylinder supply system must be arranged for vapor withdrawal; and (3) the cylinder used must include a collar to protect the cylinder valve. The LP-gas supply cylinder must be constructed and marked in accordance with the specifications for LP-gas cylinders of the U.S. Department of Transportation.

11. The valve outlet must be maintained in good condition. When the tank is not in use, be sure to cover it with dust cap. A leak test should be performed with soapy water whenever connecting a new tank. **Never** use a match to test for leaks
12. Propane tank must be turned off whenever the heater is not in use. When the heater is to be stored indoors, the connection between the propane tank and the heater must be disconnected and stored in accordance with Chapter 5 of the Standard for Storage and Handling of Liquefied Gases, ANSI/NFPA 58.
13. The 140100 Prochef Heater has been designed with several safety features. These include 100% safety shutoff control, elevated heating element, weighted base, and Type 1 Cylinder Connection Device. **The patented positive ignition system is an advanced feature which makes lighting very easy and match is no longer required.** Any modification to the heater not described in the installation instructions may compromise the safety of this appliance. Special concern is as follows:

- (1) **DO NOT** shorten post length;
- (2) **DO NOT** bypass thermocouple safety;
- (3) **DO NOT** operate heater without a reflector;
- (4) **DO NOT** remove filler from weighted base.

Clothing or other flammable materials should not be hung from the heater, or placed on or near the heater. The area above the post may be extremely hot. Direct contact with these metal surfaces should be avoided in order to prevent burns or clothing ignition.

TYPE 1 CYLINDER CONNECTION DEVICE

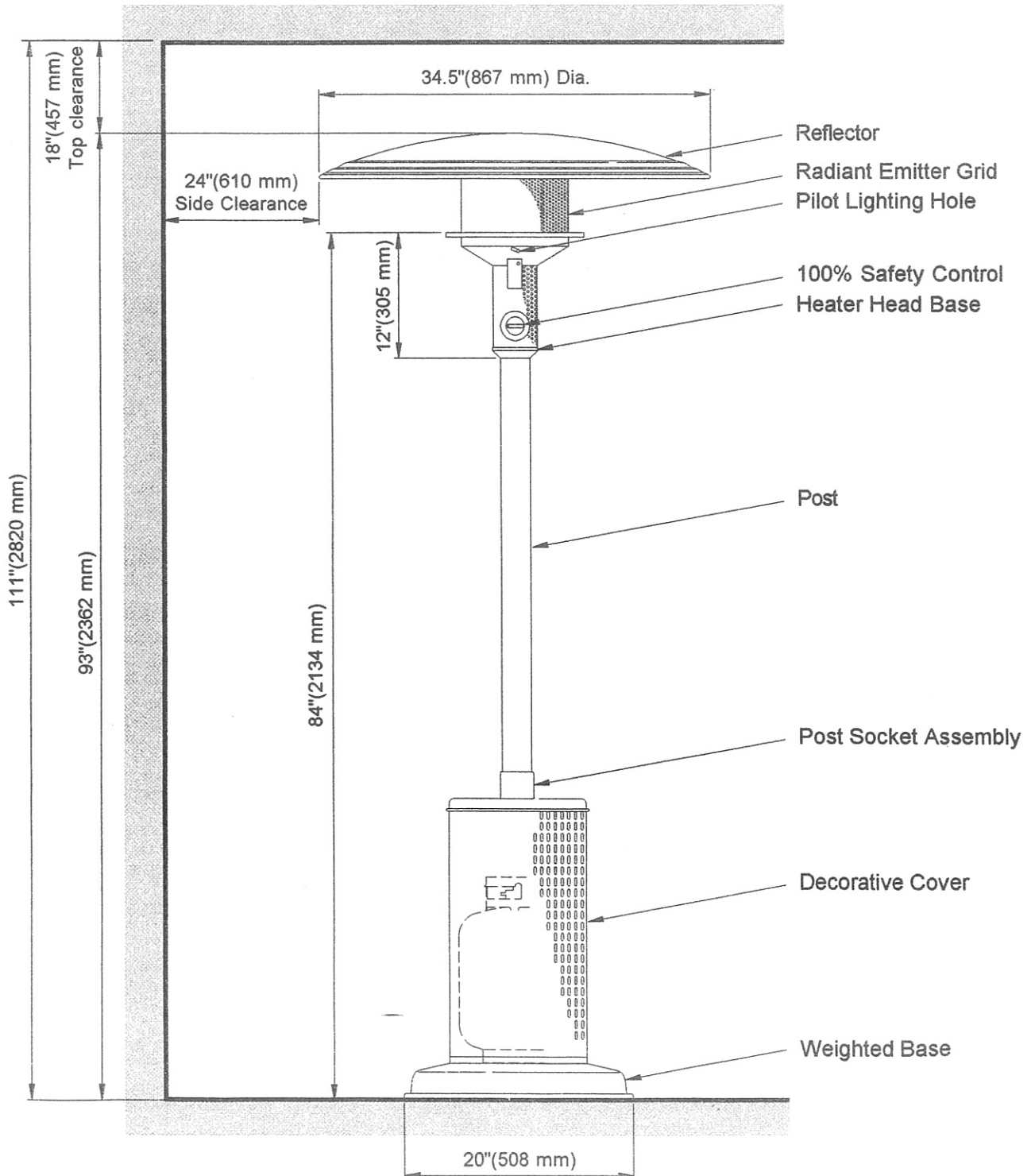


Screw the coupling nut of regulator onto the outlet tank valve.



MODEL 140100
PORTABLE PATIO HEATER
For Outdoor Use Only

Minimum Clearance from Combustibles



TEST FIRING HEATER

Test fire heater, following the lighting instructions on heater post. Leak test all gas connections with soapy water. Soap bubbles indicate gas leakage. Do NOT use a match to test for gas leaks.

WARNING: White smoke may appear around the emitter grid during the first minute of the initial firing.

TROUBLE SHOOTING

Problem	Possible Causes
Pilot won't light	<ul style="list-style-type: none">■ Air in gas line■ Low gas pressure■ Gas line turn "OFF"■ Blockage in gas line■ Ignitor did not spark
Pilot won't stay lit	<ul style="list-style-type: none">■ Bad thermocouple■ Corrosion of thermocouple contact■ Bad valve■ Wind exceeding 10 mph
Main burner won't light	<ul style="list-style-type: none">■ No power■ Low gas pressure■ Blockage in orifice■ Manual valve not in "ON" position

Warning: Improper installation, adjustment, alteration, service or maintenance can cause injury or property damage. Read the installation, operating and maintenance instructions thoroughly before installing or servicing this equipment.

LIGHTING INSTRUCTION

Special Note: An ignitor has been built in as part of the gas control valve which will be activated when the valve stem is depressed and turned counter-clockwise.

To Light Pilot

Push and turn the control knob to "PILOT" position. The ignitor will spark at the same time. Check pilot flame through the 1/2" match lighting hole. Firmly depress the knob for 15 seconds after lighting. If the pilot does not light, turn the control knob to "OFF" position. Try again. It might need two or three trials to light the pilot burner. Note: Allow one(1) minute to purge air through pilot after connection with a new gas tank.

To Turn Heater On

Turn control knob to "ON" position.

To Turn Heater and Pilot Off

Turn control knob to "PILOT" position. Depress slightly and turn to "OFF" position. Wait five(5) minutes after complete shutoff of heater before relighting pilot. Turn the gas tank off when heater is not in use.

Minimum clearance to adjacent combustible surfaces are as follows:

Top 18" Sides 24" Below 84"

Combustible materials are considered to be wood, compressed paper, plant fibers, plastic or other materials that are capable of being ignited and burned.